

POTATO MACHINE

2TD-S2 POTATO SOIL COVERING MACHINE

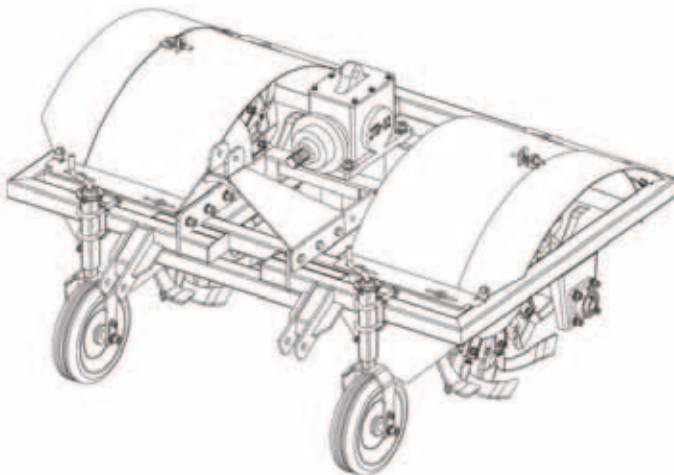
2TD-S2 型马铃薯上土机

When the potatoes get sprouted, they can go out against the film independently, no need manual helping.

Potato Soil Covering Machine is used after the potatoes are sprouted and before sprouts go out of the mulching film. This process protects sprouts from sunburn, prevents grass growing, prevents potatoes from getting green, and also to make sprouts to be stronger.

Features :

- Better hilling effect
- Reasonable structure, rotation speed faster
- Non-overload work, anti-wear
- Efficient, small drive power



Model	2TD-S2
Structure Size(mm)	1700x1415x980
Tractor Linkage	3-point Hitch
Row Spacing(cm)	800-1200
Structure Weight(KG)	140
Tractor HP	25-35
Working Capacity(Hectare/Hour)	0.24